



SCHLUMPF USA

39 Enterprise Drive, Suite 1, Windham, ME 04062 USA

T: +1 207 893 1903 F: +1 207 893 1905

sales@schlumpf-inc.com www.schlumpf-inc.com

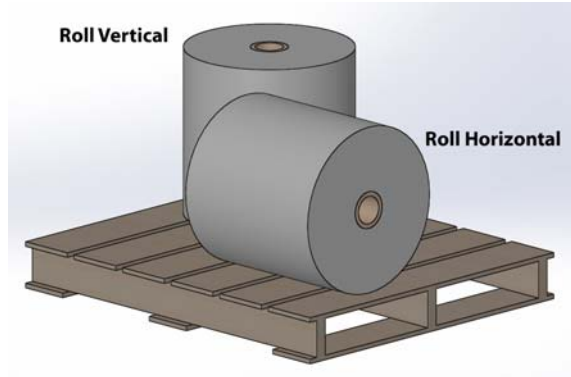
Roll Handling Application Quote Request Form

Application information is required prior to quotation! Information supplied to Schlumpf USA will be considered proprietary and confidential. Revised June, 2014.

Company: _____ Address: _____ Tel: _____
 Contact: _____ Fax: _____
 End User: _____ E-Mail _____

Equipment Type: Check: **Hoist & Crane Based** **Portable Floor Based** **Manipulator** **Other** _____

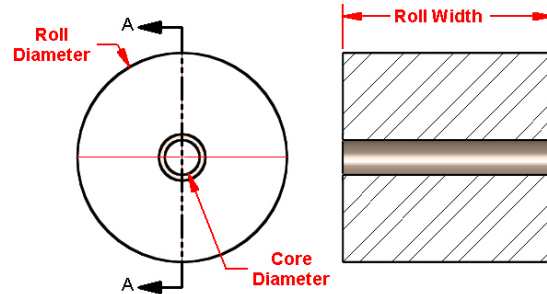
Roll Orientations



What do you want to do:

Lift Only Horizontal Vertical Lift & Turn

Roll & Core Specifications:



Values: Inch Metric

Max. roll weight? _____ Min. roll weight? _____

Max. roll width? _____ Min. roll width? _____

Max. roll diameter? _____ Min. roll diameter? _____

Roll material? _____ Will roll telescope? _____

Core size(s)? _____ Core Material? _____

Mandrel / Probe Options—Check:

- Remote retract
- Pneumatic retract
- Pneumatic expand
- Surface rollers
- Bumper nose
- Additional length
- Shaft coupling
- Combi Inch / Metric
- Core stop

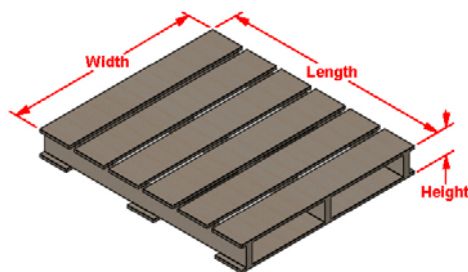
Machine / Device Options—Check:

- Remote retract
- Vision / Laser system
- Hoist controls
- G Force mount
- Balancer controls
- Floor brakes
- Limit switches
- Anti-telescoping
- Spare mandrel holder

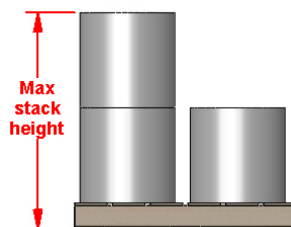
Equipment Usage: Cycles / Hour _____ Shifts _____

Notes:

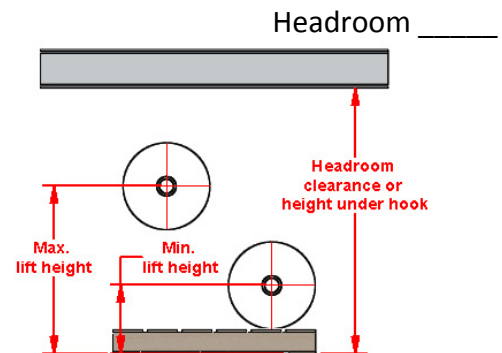
Operating Requirements:



Pallet W _____ L _____ H _____



Stack Height _____



Min Lift _____ Max Lift _____